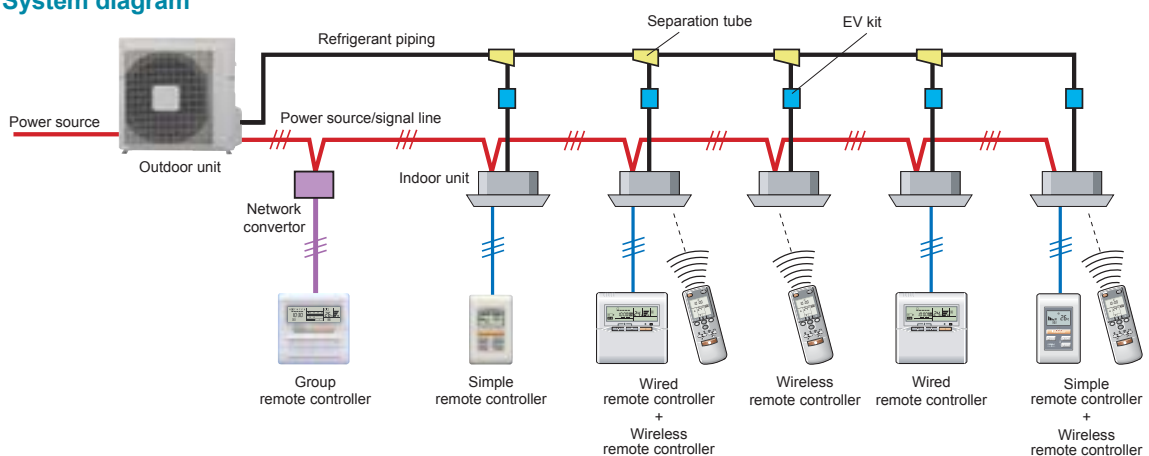


J-Series VRF



Despite its small size, the Fujitsu J-Series is not short on power. The single outdoor unit is powerful enough to feed eight indoor units, yet small enough to fit virtually anywhere. With a high-performance DC inverter, the J-Series is also extremely efficient, as well as simple to install and superbly reliable. The J-Series gives you a new VRF option for smaller applications – another example of how Fujitsu is working hard to make your life easier.

System diagram



J-Series VRF Outdoor

Specification			AOY54UJBMR		
Power Requirement		PH, Hz	Single-phase, 50Hz		
		V	220 - 240		
Total Capacity	Cooling	kW	15.2		
	Heating		16.6		
Total Input Power	Cooling	kW	4.75		
	Heating		4.88		
Total Current	Cooling	A	20.2		
	Heating		20.7		
Starting Current		A	18.5		
E.E.R./C.O.P	Cooling	-	3.20		
	Heating		3.40		
Air Volume	High	m ³ /h	5250		
Heat Exchanger			Plate Fin Coil		
Fan Type x Qty			Propeller x 1		
Fan Motor Output		W	150		
Compressor	Motor Output	W	3000		
	Type		Scroll		
	Driving Method		DC Inverter		
	Protection		Fan Motor Thermal Protector, HP Switch, LP Switch, Fuse		
Dimensions (HxWxD)	Net	mm	900 x 900 (+79) x 370		
	Gross		1021x1026x436		
Weights	Net	kg	97		
	Gross		112		
Noise Level (Sound Pressure)		dB(A)	56		
Conditions	Indoor Air Temp.	Cooling	DB/WB	27°C/19°C	
		Heating		20°C/(15°C)	
	Outdoor Air Temp.	Cooling	DB/WB	35°C/24°C	
		Heating		7°C/6°C	
Refrigerant		Type	R410A		
Refrigerant Oil		Type	Synthetic Oil (POE Oil)		
Pipe	Size	Liquid	inches	3/8 (9.52mm)	
		Gas		3/4 (19.05mm)	
	Max Length		m	70	
	Max Height			30	
Operation Range (Outdoor)	Cooling	°C	-5 ~ 43		
	Heating		-20 ~ 21		
Connectable Indoor Unit			8 Maximum		
Connectable Indoor Unit Capacity			50% to 150%		



One outdoor unit can connect up to 8 indoor units

J-Series VRF Indoor

Model	Nominal Capacity		Dimensions (HxWxD)	Room Air Circulation	Noise Levels (Sound Pressure)
	Indoor	Cooling kW			
Compact Duct					
ARXA07LALR	2.15	2.45	217x663x595	420	31 / 32 / 34
ARXA09LALR	2.80	3.10	217x663x595	420	31 / 32 / 34
ARXA12LALR	3.50	4.10	217x953x595	620	27 / 29 / 33
ARXA14LALR	4.00	4.80	217x953x595	620	27 / 29 / 33
ARXA18LALR	5.30	5.60	217x953x595	950	30 / 35 / 40
ARXA22LALR	6.00	6.30	217x953x595	890	34 / 38 / 42



Duct					
AR25UFAAR	7.05	7.85	270x1210x700	1200	40 / 42 / 44
AR30UFAAR	8.80	9.10	270x1210x700	1200	40 / 42 / 44
AR36UFAAR	10.50	10.70	270x1210x700	2200	45 / 47 / 49
AR45UFAAR	12.70	13.70	270x1210x700	2200	45 / 47 / 49



Compact Cassette					
AU7UFAAR	2.15	2.45	230x570x570	530	31 / 35 / 38
AU9UFAAR	2.80	3.10	230x570x570	530	31 / 35 / 38
AU12UFAAR	3.60	4.10	230x570x570	580	34 / 37 / 41
AU14UFAAR	4.00	4.50	230x570x570	580	34 / 37 / 41
AU18UFAAR	5.00	5.45	230x570x570	640	35 / 38 / 44



Cassette					
AU20UFARR	5.70	5.80	246x830x830	1030	37 / 38 / 42
AU25UFARR	7.05	7.85	246x830x830	1170	39 / 40 / 42
AU30UFARR	8.80	9.10	246x830x830	1270	39 / 42 / 45
AU36UFASR	10.50	10.70	296x830x830	1500	41 / 44 / 48
AU45UFASR	12.70	13.70	296x830x830	1650	43 / 47 / 49
AU54UFASR	14.10	15.80	296x830x830	1780	45 / 49 / 52



Compact Wall Mounted					
AS7UFADR	2.15	2.45	257x808x187	410	26 / 27 / 30
AS9UFADR	2.80	3.10	257x808x187	500	30 / 33 / 36
AS12UFADR	3.50	4.10	257x808x187	540	34 / 37 / 39
AS14UFADR	3.80	4.50	257x808x187	540	34 / 37 / 39



Wall Mounted					
AS18UFAJR	5.40	5.60	320x1120x220	840	35 / 39 / 42
AS24UFAJR	6.90	7.80	320x1120x220	950	37 / 41 / 45
AS30UFAJR	8.00	8.80	320x1120x220	1050	41 / 45 / 48



J-SERIES VRF ACCESSORIES	
Description	Part Number
Wired Remote Controller	UTB-YUB
Simple Wired Remote Controller (with Mode Control)	UTB-YPB
Simple Wired Remote Controller (without Mode Control)	UTB-YRA
Group Remote Controller (Requires Network Converter)	UTB-YDB
Network Converter (Required for Group Remote Controller)	UTR-YGCA
External Switch Controller	UTR-YESA
Separation Tube	UTR-BPO54X
Header	UTR-HD546U
Remote Sensor	UTD-RS100
Filter for AR25 to AR45	UTDLF270
Round Outlet Flange for AR25 to AR45	UTD-RF204

All indoor units are delivered complete with a wireless remote controller

All ducted units are delivered complete with a remote receiver unit for use with wireless remote controller

Note each indoor unit requires an EV Kit: (to be ordered separately):

UTR-EV2AXL required if indoor model code number is less than 30

UTR-EV3XL required if indoor model code number is equal to or greater than 30

Standard controllers



Supplied with each indoor unit



Receiver unit is supplied with all duct type units

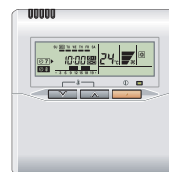
Optional controllers



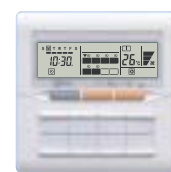
Simple remote controller w/o mode control



Simple remote controller



Wired remote controller



Group remote controller

Distributed by:

Cooling & Heating capacities are based on the following conditions:

Cooling: Indoor Temp.: 27°C DB/19°C WB, Outdoor Temp.: 35°C DB/24°C WB

Heating: Indoor Temp.: 20°C DB, Outdoor Temp.: 7°C DB

Note: Fuse ratings shown are only for information. Any fuses or MCB's installed on-site should be sized in accordance with I.E.E. regulations.

For full installation details please contact FG Eurofred or your local distributor



The company reserves the right to make any variation in specification to the equipment described or to withdraw or replace products without prior notification or public announcement. All descriptions, illustrations, drawings and specifications in this publication present only general particulars and shall not form any part of any contract. For full installation details please contact FG Eurofred your local distributor.

